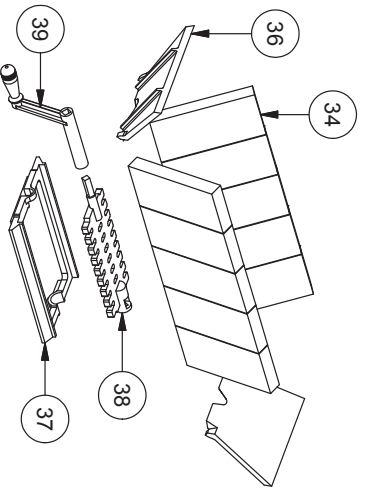
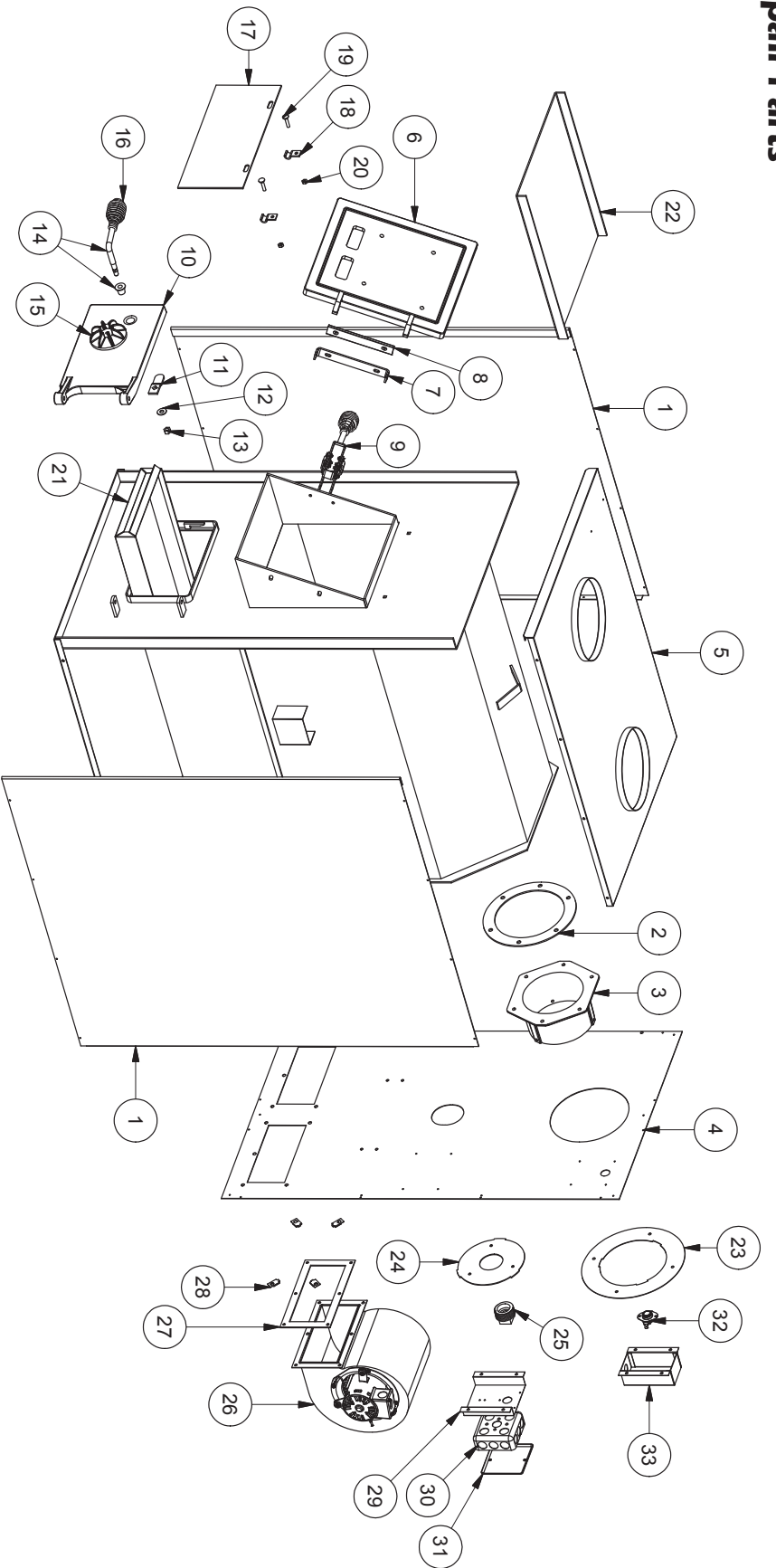
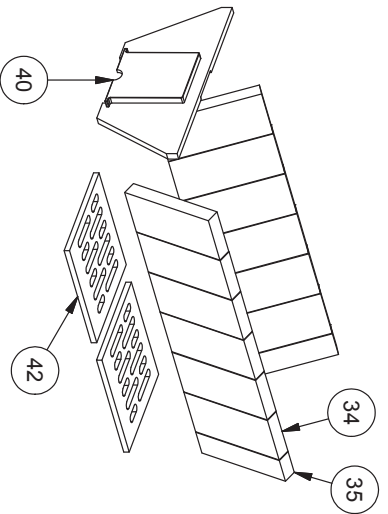


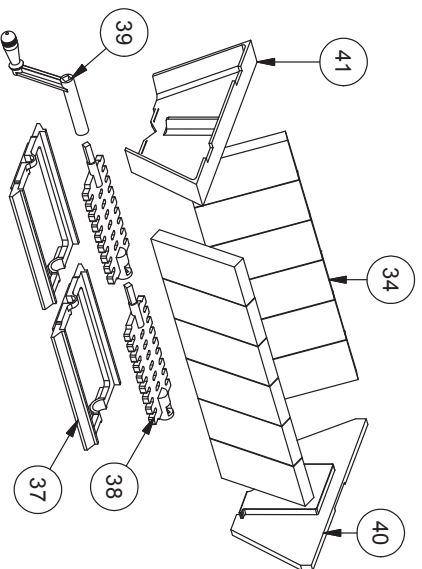
Repair Parts



1300



1400



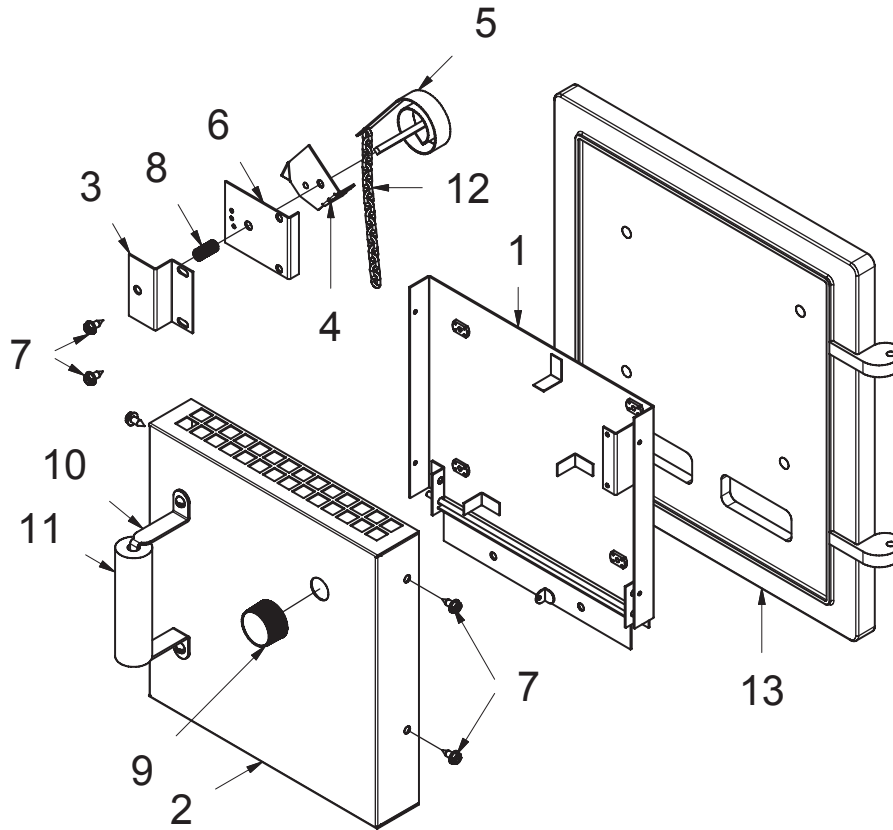
1500, 1537G

Parts List

Key	Part No.	Description	Model	Qty.
1	25541R	Cabinet Side (Left & Right)	1300	2
	25467R		1400, 1500	
	25467G		1537G	
2	88032	Flue Collar Gasket		2
3	40246	Flue Collar		1
N/S	83227	Bolt, 1/4-20 x 1"		6
N/S	83250	Kep Nut, 1/4-20		6
4	25540R	Cabinet Back	1300	1
	23459R		1400, 1500	
	23459G		1537G	
5	25561R	Cabinet Top	1300	1
	25466R		1400, 1500	
	25466G		1537G	
N/S	891214	8" Collar		2
6	68217	Feed Door Assy. (Includes Gasket - 88057)		1
7	22662	Bracket, Feed Door		1
8	24232	Spacer, Hinge		1
9	891097	Locking Mechanism, Feed Door		1
10	68218	Ash Door Assy. (Includes Gasket - 88066)		1
11	86626	Latch, Door		1
12	83461	Washer (1" OD, 7/16" ID)		1
13	83274	Lock Nut, 3/8-16		1
14	891098	Handle Assy. w/Handle Bushing		1
15	23859B	Draft Cap, Painted		1
16	89574	Handle, Spring		2
17	23800	Smoke Curtain		1
18	23787	Clip, Smoke Curtain		2
19	83445	1/4-20 x 1-1/4 Carriage Bolt		2
20	83250	Kep Nut, 1/4-20		2
21	68238	Ash Pan	1300	1
	68228		1400, 1500, 1537G	
22	23397	Baffle, Flue	1300	1
	23398		1400, 1500, 1537G	2
23	22761B	Flue Collar Ring		1
24	22762B	Forced Draft Ring		1
25	86402	1-1/2" Pipe Plug		1

Key	Part No.	Description	Model	Qty.
26	80230	Blower	1300	1
			1400, 1500, 1537G	2
27	89319	Gasket, Blower	1300	1
			1400, 1500, 1537G	2
28	83340	1/4-20 Clipnut	1300	4
			1400, 1500, 1537G	8
N/S	83339	Bolt (1/4-20 x 3/4")	1300	4
			1400, 1500, 1537G	8
29	22140	Relay Box Bracket		1
30	80131	Junction Box (4 x 4)		1
31	80231	Junction Box Cover		1
32	80314	Thermodisc (60T12)		1
33	68234	Blower Thermostat Bracket		1
34	89066	Firebrick (4.5 x 9 x 1.25)	1300	10
			1400, 1500, 1537G	12
35	891414	Firebrick (2.25 x 9 x 1.25)	1400	2
36	40264	Liner, Front/Rear	1300	2
37	40256	Grate Frame, Shaker	1300	1
			1500, 1537G	2
38	40257	Grate, Shaker	1300	1
			1500, 1537G	2
39	40260	Handle, Shaker	1300	1
			1500, 1537G	
40	40258	Liner - Front/Rear	1400	1
			1500, 1537G	
41	40269	Liner - Front	1500, 1537G	1
42	40263	Grate - Wood	1400	2
N/S = Not Shown Color Code: R = Red, G = Green				

Parts Diagram/List

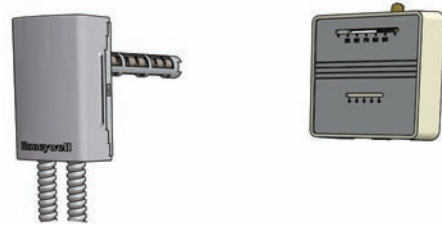


-	68733	Thermostat Box Assembly (Color - Red)	-
**	68733G	Thermostat Box Assembly (Color - Green)	-
1	68722	Thermostat Panel Weldment	1
2	68732	Thermostat Cover Weldment (Color - Red)	1
**	68732G	Thermostat Cover Weldment (Color - Green)	1
3	23429	Thermostat Step Plate	1
4	23431	Friction Plate	1
5	81903	Thermostat	1
6	23427	Thermostat Mounting Bracket	1
7	83172	#10 Sheet Metal Screw	6
8	89041	Spring	1
9	89175	Thermostat Knob	1
10	23425	Handle Bracket	2
11	89520	Wooden Handle	1
12	86318	Thermostat Chain	.542 FT
13	68217	Feed Door Assembly (Includes Door and Gasket)	1
N/S	83106S	Machine Screw, 10-24 x 1/2" SL HD Z	2
N/S	83136	Washer, 9/32" I.D. - 5/8" O.D. - 1/16" THK.	1
N/S	83816	Cotter Pin, 1/16" x 3/4"	1

Optional Equipment

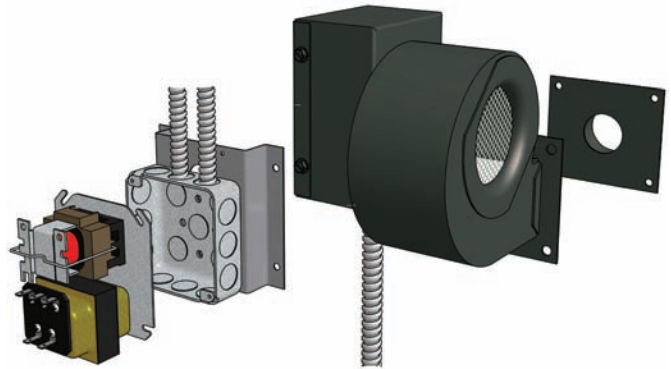
11DIKL Draft Inducer Kit w/ Limit Switch

This optional kit allows your furnace to be thermostatically controlled and gives the option to change the on/off times of the distribution blower(s).



UFB908 Universal Filter Box

When installing **ANY** warm air furnace, proper installation is the key and required for getting the most efficiency and longest life out of your unit. Failure to install your furnace as outlined from the manufacturer, often will result in inadequate heating and problems associated with drafting. U. S. Stove Co. offers the UFB908, a universal filter box that mounts to the rear of the unit that your return air duct work will attach to. It uses a standard 16 x 20 x 1 filter (NOT INCLUDED) to reduce the amount of dust particles from being transferred thru you duct work system.

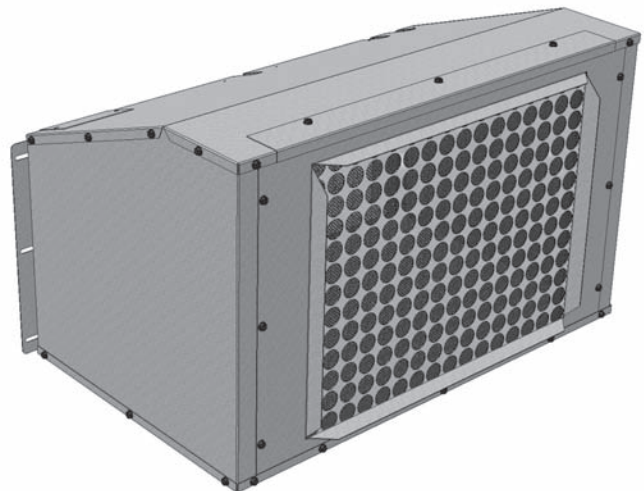


11DIKL

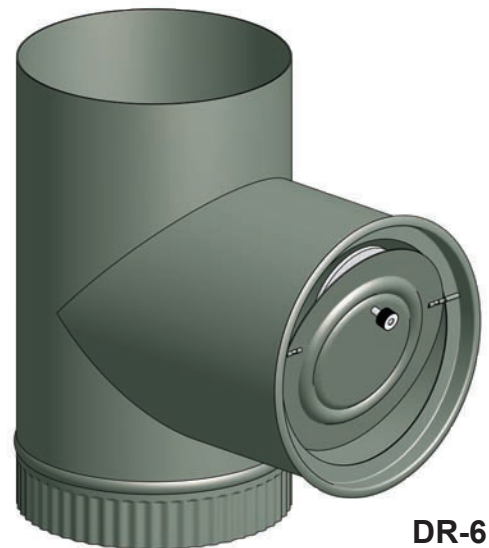
DR-6 Barometric Damper Regulator

In the unlikely event that your furnace “overfires” (a condition evidenced by elbows, stove pipes, and connectors glowing red in appearance or otherwise discoloring), then your installation is subject to excessive draft created by either a chimney too tall or too great in diameter in conjunction with its height, or some other factor of an indeterminate cause. In this event, you should install a barometric draft regulator. Such installation will preclude any over-firing and/or any hazardous consequences of potential overfiring.

Barometric draft regulators are generally available where you purchased your stove or may be ordered directly from United States Stove Company at a nominal charge.



UFB908



DR-6

BULLETIN RC454

A GUIDE TO BURNING COAL IN YOUR FURNACE

Furnaces that are capable of burning coal usually will burn both Bituminous and Anthracite coal. Anthracite is perhaps the best coal fuel because of its long even burn time, high heat output, and cleanliness which make it a good choice for the home. However, keep in mind it is a much more difficult fuel to use, requires more care and patience, is not so widely available, and is usually much more expensive than Bituminous.

SIZE OF COAL:

Most sizes of Bituminous Coal will work in a coal furnace; for best results we recommend large "nut" coal to small "egg" coal (1-3/4" diameter to 4" diameter). When burning Anthracite, use "egg" or "broken" with sizes between 2-5/16" thru 4-3/8". Note that it is important to the long life of your stove to buy coal which has been sized and cleaned. Cleaning insures removal of rocks and other minerals. Never use coal smaller than 1" or larger than 5" in diameter. Small sized coal will smother the fire. Too large a size of coal will not burn well.

STOVE OPERATION:

All coal fires should be started with wood which will allow the fire to get hot enough to ignite the coal. The best ignition fires utilize dry pine or other resinous soft woods as kindling, with hard wood (oak, hickory, ash) added to increase the heat prior to addition of the coal.

Before starting the fire, open the stove pipe damper (if equipped), turn the thermostat to high, open the ash pit door and feed door, place newspaper and finely split kindling on the grate, light the paper, add larger hard wood after the kindling is burning brightly. CAUTION: Never use gasoline, lantern fuel, kerosene, charcoal lighter fluid, or other flammable liquids to start or freshen up a fire in any heater. Place the larger pieces of wood on the fire so that they are slightly separated and form a level for the addition of coal. It will take 10 to 20 minutes before this wood is thoroughly ignited. Adding coal too soon will cut the air supply and smother the fire.

BURNING BITUMINOUS:

Once your kindling and wood fire has produced a bed of well established coals, start adding coal in layers allowing each to ignite before adding more. Bituminous has a high volatile content and, as a re-

sult, should be fired with the "conical method" - with the highest portion of your fire bed in the center of the firebox. The first flames will be long and generally orange or yellow and produce quite a bit of smoke. As the gases burn off the flames become shorter, change color and produce less smoke.

Once the fire is WELL ESTABLISHED add coal to the center of the firebox forming the cone. Burning in this fashion allows heat to drive off the volatile gases, and turbulence created increases the burn efficiency. There will have to be some experimenting with the individual setup as no two chimney's or installations are going to be the same. Just remember to allow enough air to enter the firebox and keep the stove pipe damper open so that volatiles are properly burned. Before refueling, take the time to break up the cone a little with a poker, especially if it has caked over or formed a crust. But, be careful not to mix the coal as this increases the chances of forming clinkers. When shaking the grate(s) be gentle. Just a few short movements - a couple of "cranks" - is better than a lot of agitation. The objective is to remove a small amount of the ashes without disturbing the fire. Stop when you see a glow in the ashes or the first red coals fall into the ash pan. Excessive shaking wastes fuel and can expose the grate(s) to very high temperatures which can cause warpage or burnout.

For overnight operation (long duration burn time) shake the fire and add coal, retaining the center cone. Once the volatiles are burned off, close the feed door and adjust the stove pipe damper, if equipped. Then adjust the thermostat to the desired heat level.

More MAINTENANCE will be needed with bituminous coal than with anthracite coal as more soot will collect on heating surfaces and in pipes, requiring more frequent cleaning.

ANTHRACITE:

Add a thin layer of coal (preferably smaller chunks) to the wood fire, being careful not to disturb it too much or cut off the draft. Then, add a second heavier layer after the coal is ignited and burning well. If necessary, add a third layer to bring the coal up to the top of the front liner (not above!). Be sure to close the ash door.

BULLETIN RC454

A GUIDE TO BURNING COAL IN YOUR FURNACE

Before adding further fuel, be sure to leave a red spot of glowing coals in the center of the firebox to insure that the fire has not been smothered and to help ignite the gases given off by the new charge. A deep charge will give a more even heat and a longer fire, but it may take one to two hours before the whole bed is fully ignited.

When the fire is well established and the room is becoming warm, partially close the dampers. Some experimenting will have to take place with each particular setting of all dampers and controls as the chimney provides the draft necessary to not only exhaust the smoke, but to pull combustion air into the heater as well - and no two chimneys perform the same. Under ideal draft conditions, one should be able to turn the secondary air supply below the feed door (some models) to a near closed position - but leave the ash pit damper at least partially open to prevent the fire from going out. Adjust the stove pipe damper to reduce the draft on the fire. With anthracite there will be short blue flames above the coal, except when the fire is started or a new charge is added. If, however, there is no flame then the fire needs more air from the bottom (unless it is near the end of its burn cycle and needs to be recharged).

Only when the coal is burned down to half its original depth it is time to add fresh coal. When doing so, open the stove pipe damper and turn the thermostat damper to high, which will allow the fire to burn off any accumulated gases. Open the feed door, and with a small rake, hoe, or hooked poker pull the glowing coals to the front of the firebox. Try not to disturb the fire too much. Next, add a fresh charge to the back being careful not to seal off the top. Close the feed door, but leave the spin damper (or thermostat) open for a few minutes until the volatile gases have burned off. It is not necessary to shake down the ashes each time you refuel the furnace. Experience will be your best teacher.

BANKING THE FIRE:

For extended operation, such as overnight, the fire will need to be banked. To do so heap coal up along the sides and back of the firebox so that the fire gradually burns it over a longer period of time. The intensity of the fire will also be reduced without letting it go out. Follow the same procedure as for refueling. If possible, avoid shaking, as a heavier layer of ash will help reduce the intensity of the fire during this time. After loading, let the fire establish itself for about 30 minutes. Then close your damper and automatic control to the point where the house does not become too cold. It is important that you begin banking early enough before retiring or leaving that you can make necessary adjustments after the fire is well established.

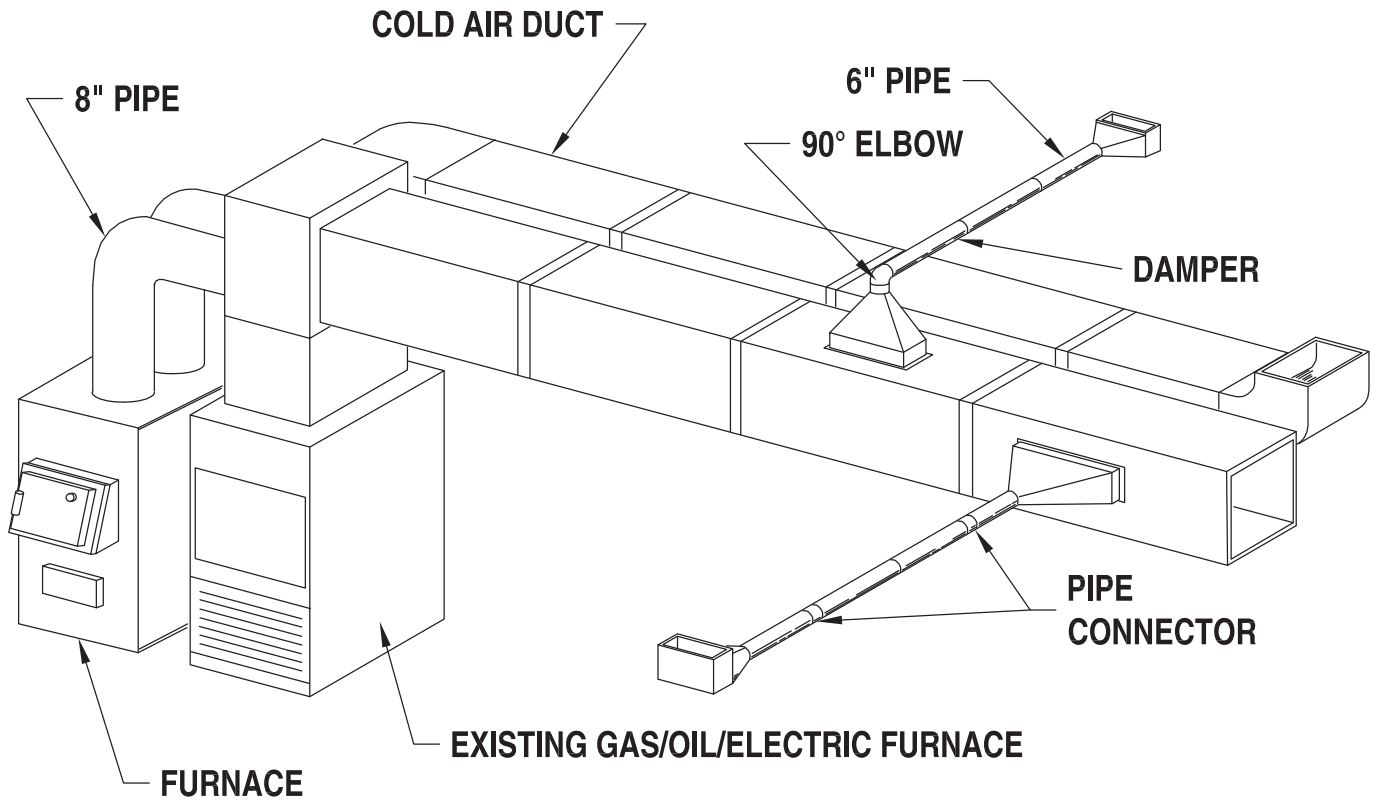
To revive a coal fire that is almost out, (1) open the ash door and stove pipe damper and close the spin damper under the door to get a good draft through the grate. (2) place a thin layer of dry coal over the entire top of the fire. **DO NOT POKE OR SHAKE THE FIRE AT THIS TIME!** (3) after the fresh coal has become well ignited shake the grate (just a little), refuel.

DO NOT burn coke, charcoal, high volatile bituminous coal, sub bituminous, lignite or cannel coal (sometimes called channel coal or candle coal).

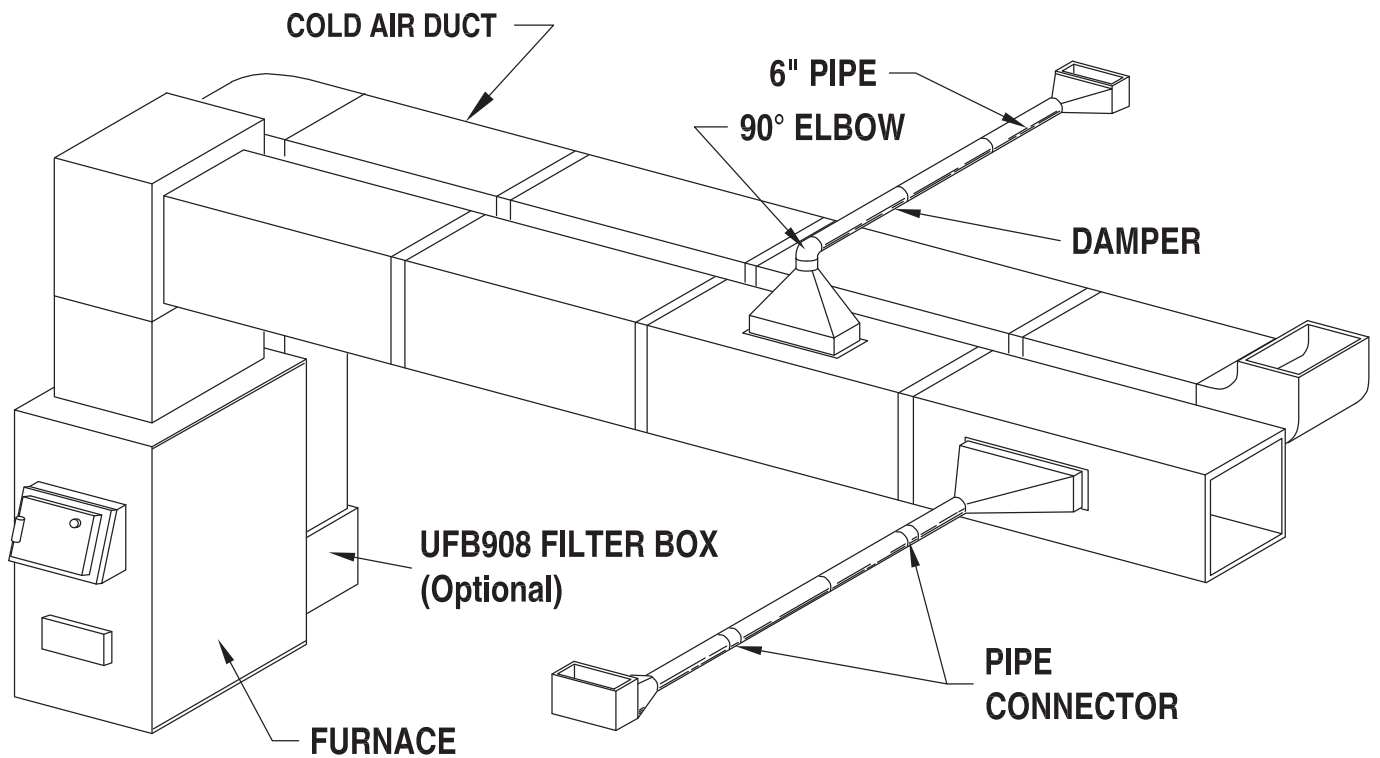
NEVER burn wax or chemically impregnated sawdust logs - their intended use is for fireplaces only.

NEVER fill the stove or furnace above the firebrick or cast iron liner.

CENTRAL INSTALLATION

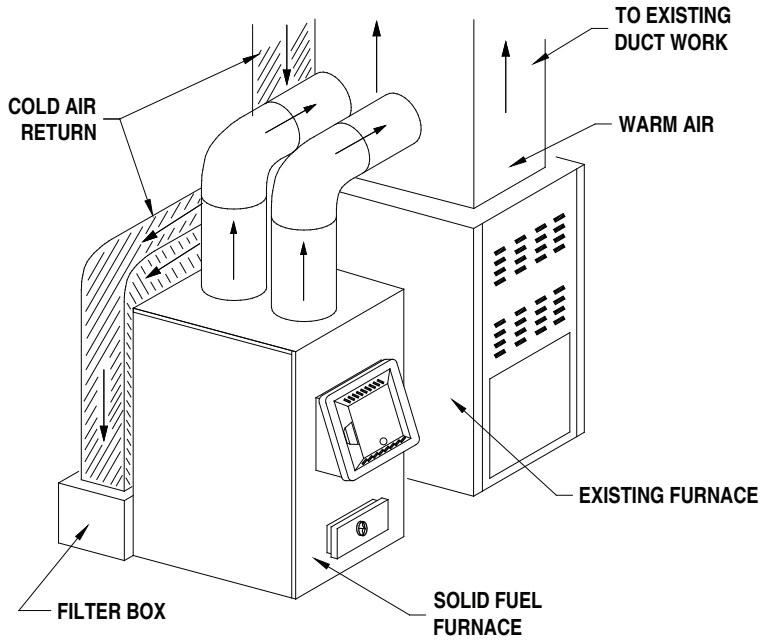


ADD-ON INSTALLATION

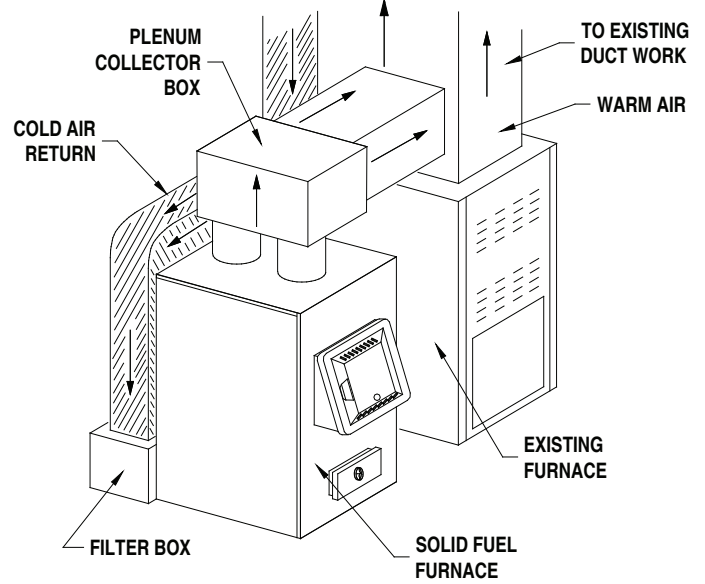


Appendix

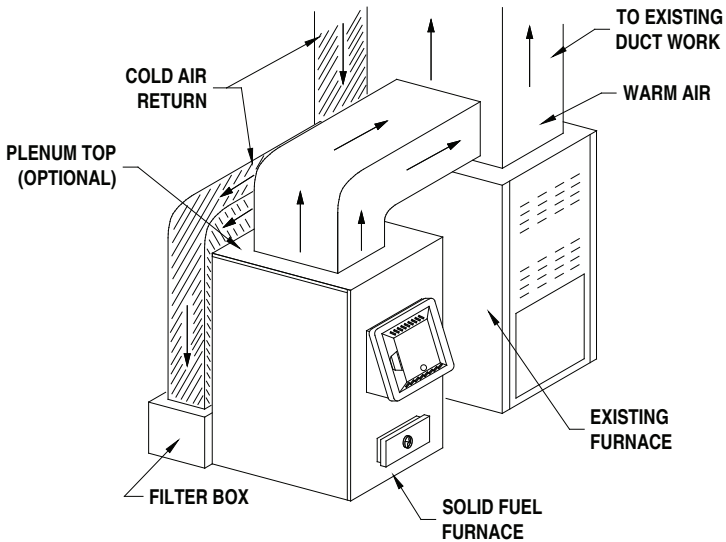
INSTALLATION A



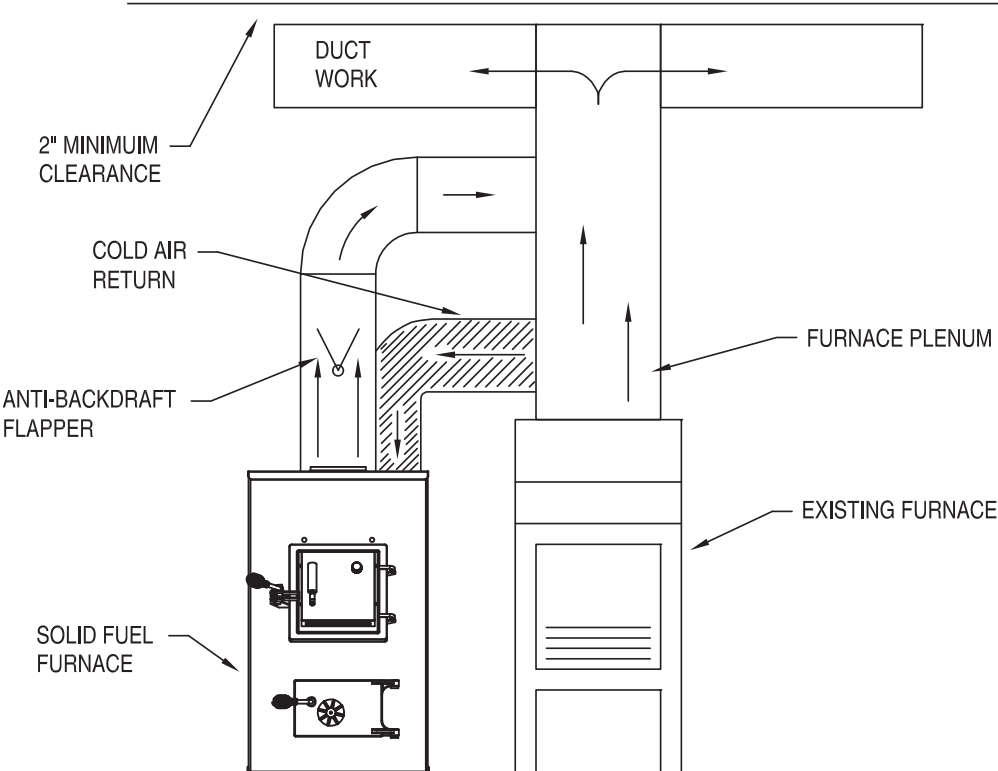
INSTALLATION B



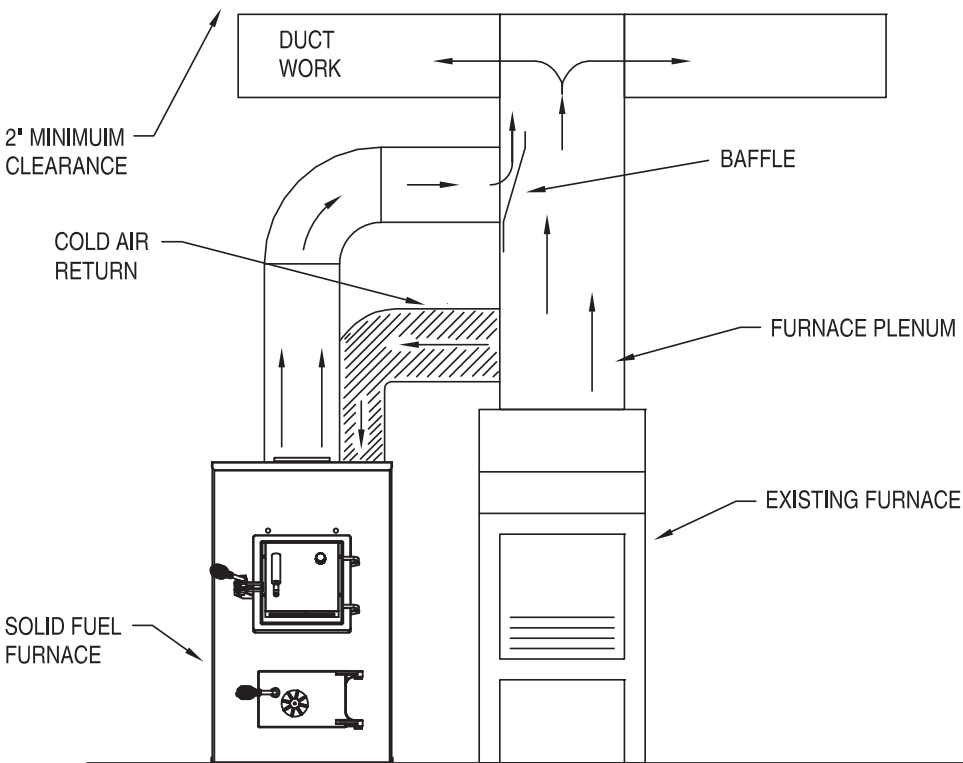
INSTALLATION C



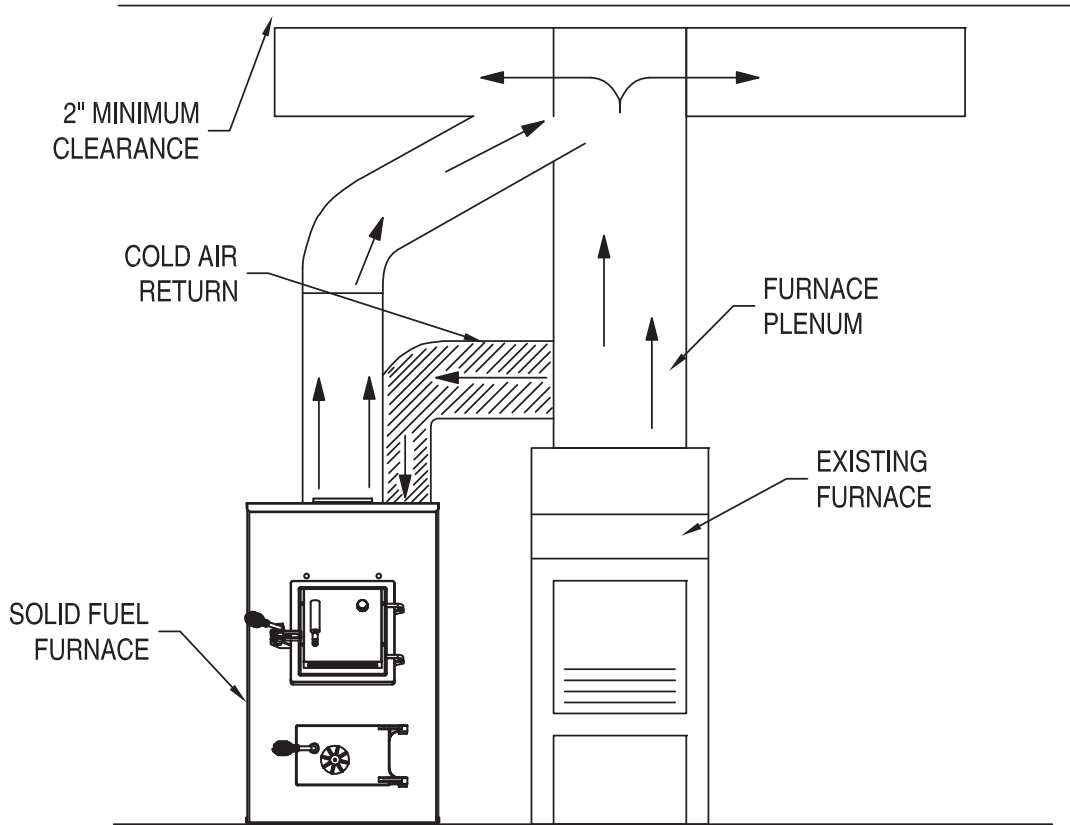
INSTALLATION D



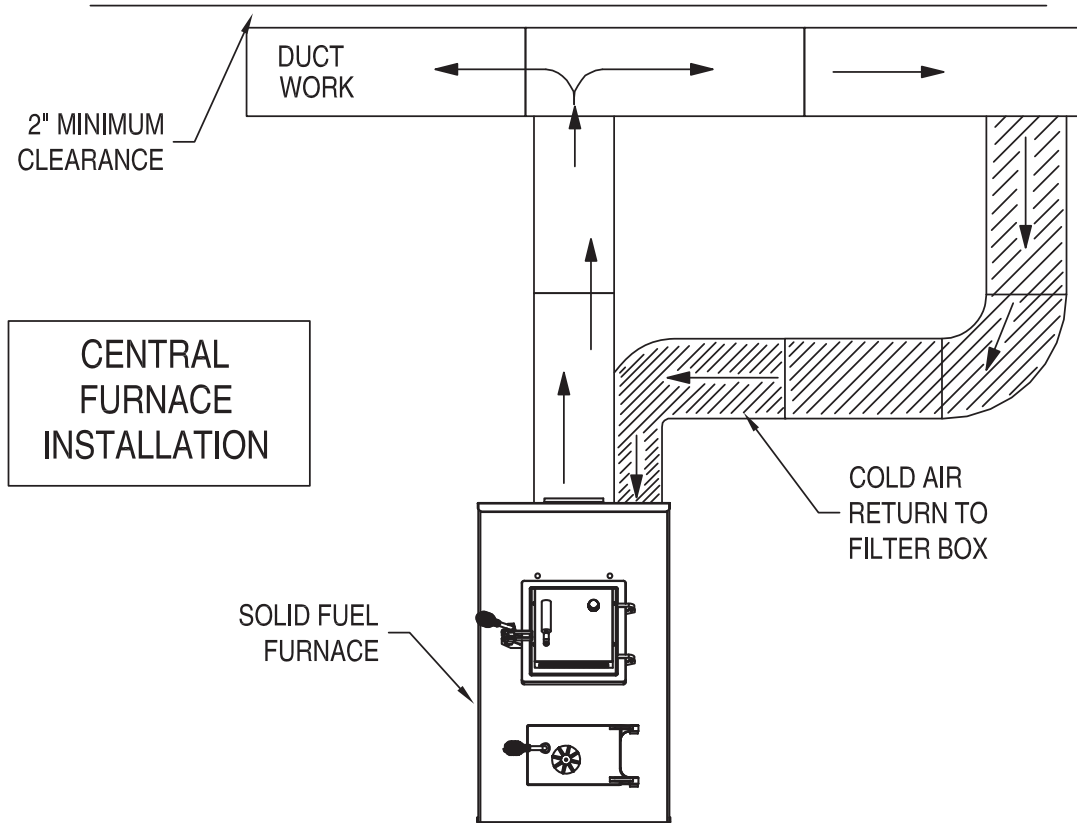
INSTALLATION E



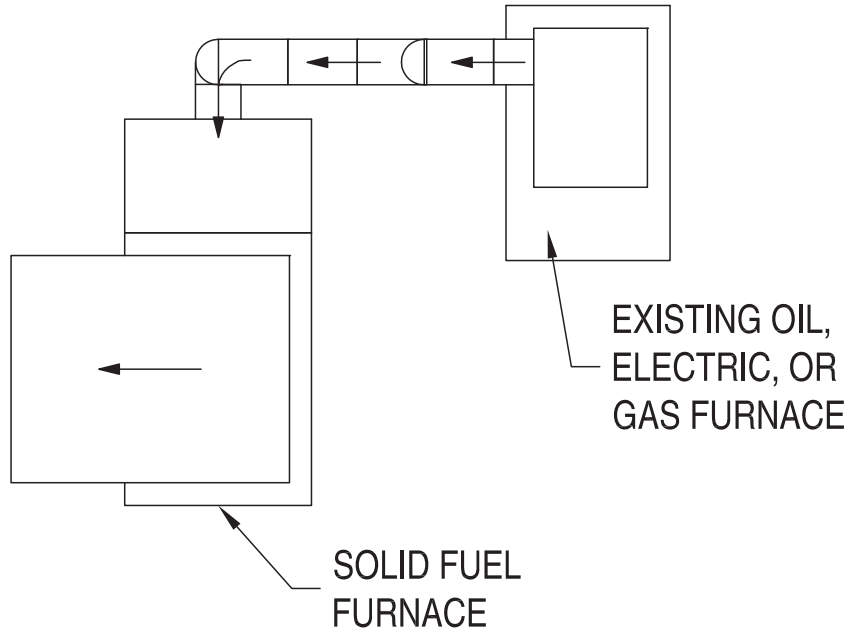
INSTALLATION F



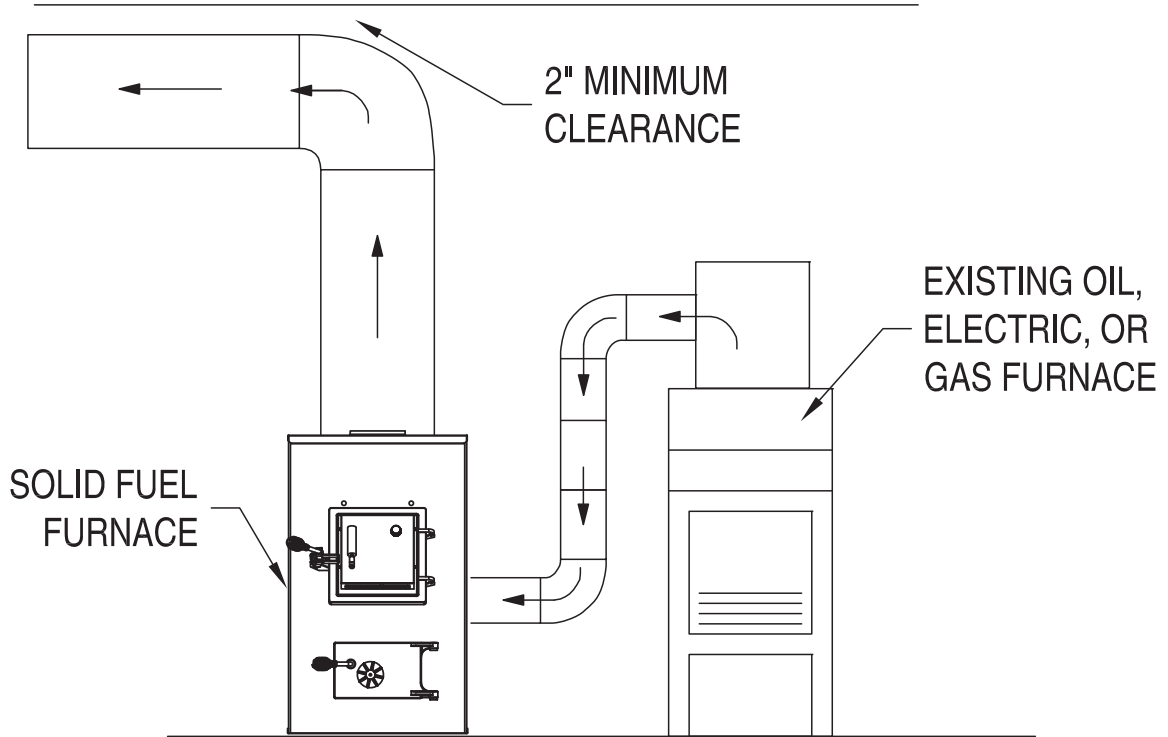
INSTALLATION G



INSTALLATION H



TOP VIEW



FRONT VIEW

HOW TO ORDER REPAIR PARTS

THIS MANUAL WILL HELP YOU OBTAIN EFFICIENT, DEPENDABLE SERVICE FROM YOUR FURNACE, AND ENABLE YOU TO ORDER REPAIR PARTS CORRECTLY.

KEEP THIS MANUAL IN A SAFE PLACE FOR FUTURE REFERENCE.

WHEN WRITING, ALWAYS GIVE THE FULL MODEL NUMBER WHICH IS ON THE NAMEPLATE ATTACHED TO THE HEATER.

WHEN ORDERING REPAIR PARTS, ALWAYS GIVE THE FOLLOWING INFORMATION AS SHOWN IN THIS LIST:

1. THE PART NUMBER
2. THE PART DESCRIPTION
3. THE MODEL NUMBER: 1300 1400 1500 1537G
4. THE SERIAL NUMBER: _____



United States Stove Company
227 Industrial Park Road
P.O. Box 151
South Pittsburg, TN 37380
(800) 750-2723
WWW.USSTOVE.COM

CUT HERE



WARRANTY INFORMATION CARD

Name _____ Telephone #: (____) _____

City _____ State _____ Zip _____

Email Address _____

Model # of Unit _____ Serial # _____

Fuel Type: Wood Coal Pellet Gas Other _____

Place of Purchase (Retailer) _____

City _____ State _____ Zip _____

If internet purchase, please list website address _____

Date of Purchase _____

Reason for Purchase: Alternative Heat Main Heat Source

Decoration Cost Other _____

What was the determining factor for purchasing your new appliance? _____

I have read the owner's manual that accompanies this unit and fully understand the:
Installation Operation and Maintenance of my new appliance.

Print Name Signature Date

Please attach a copy of your purchase receipt.

Warranty not valid without a Proof of Purchase.

Warranty information must be received within 30 days of original purchase.

Detach this page from this manual, fold in half with this page to the inside and tape together. Apply a stamp and mail to the address provided. You may use an envelope if you choose.

You may register online by going to www.usstove.com

All information submitted will be kept strictly confidential. Information provided will not be sold for advertising purposes.
Contact information will be used solely for the purpose of product notifications.

CUT HERE



CUT HERE



CUT HERE



Fold Here

Fold Here

PLACE
STAMP
HERE

United States Stove Company
P.O. Box 151
South Pittsburg, TN 37380